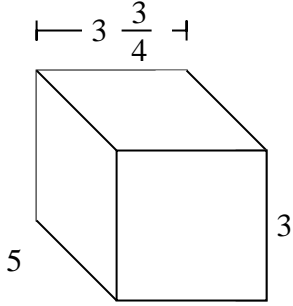


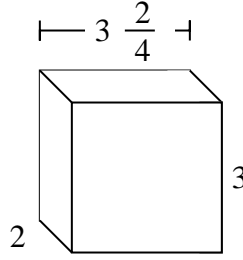


Fill each rectangular prism with cubes to determine the volume. Each prism's unit is measured in cm (not to scale).

Ex)



1)



Answers

Ex. $56 \frac{1}{4}$ cm

1. _____

2. _____

3. _____

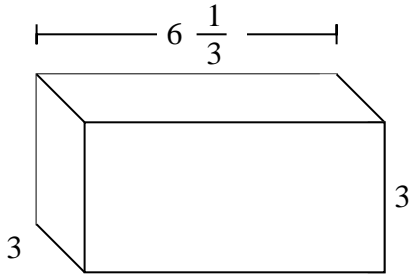
4. _____

5. _____

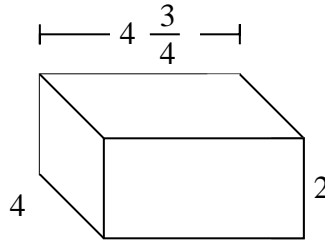
6. _____

7. _____

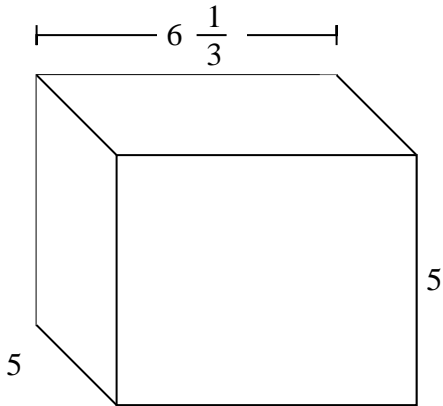
2)



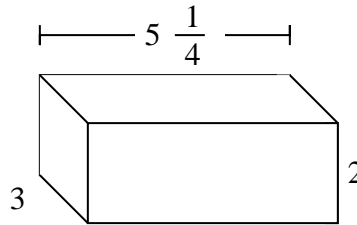
3)



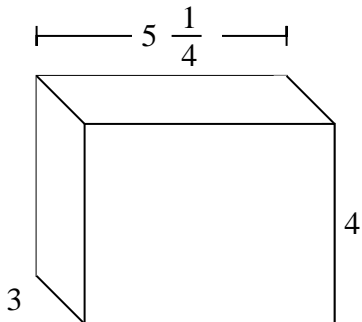
4)



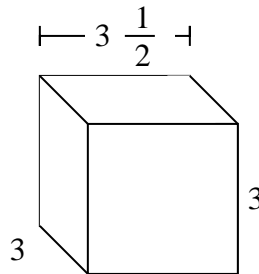
5)



6)

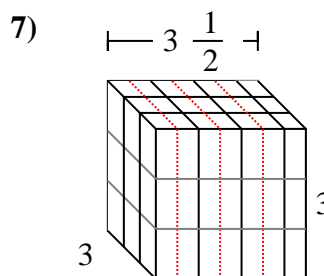
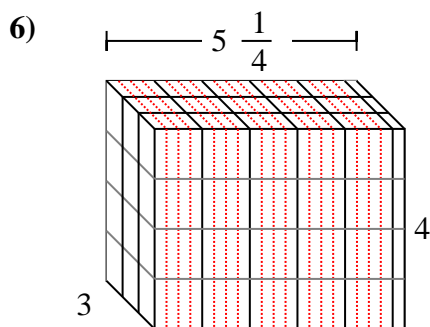
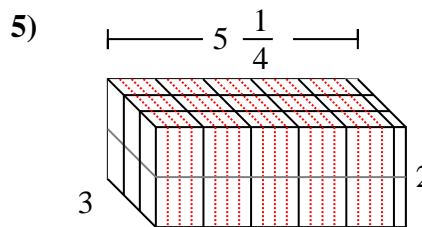
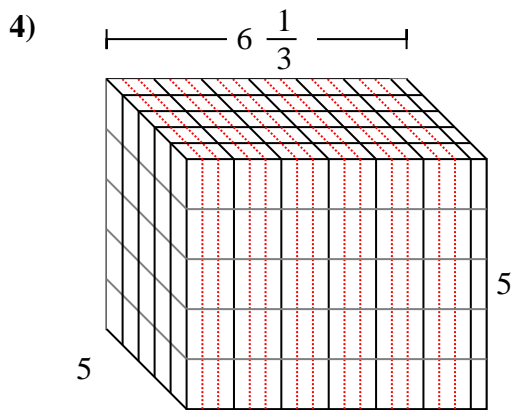
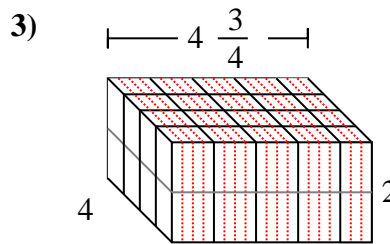
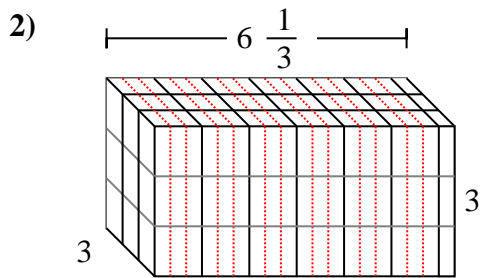
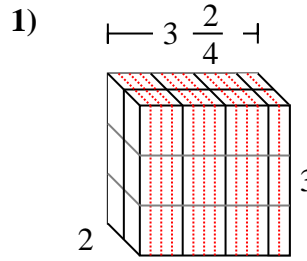
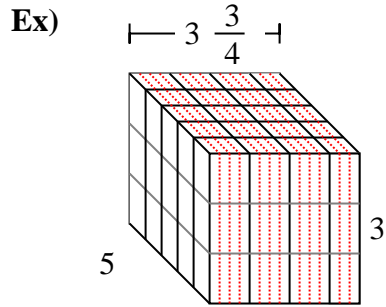


7)





Fill each rectangular prism with cubes to determine the volume. Each prism's unit is measured in cm (not to scale).

AnswersEx. $56 \frac{1}{4}$ cm1. 21 cm2. 57 cm3. 38 cm4. $158 \frac{1}{3}$ cm5. $31 \frac{2}{4}$ cm6. 63 cm7. $31 \frac{1}{2}$ cm