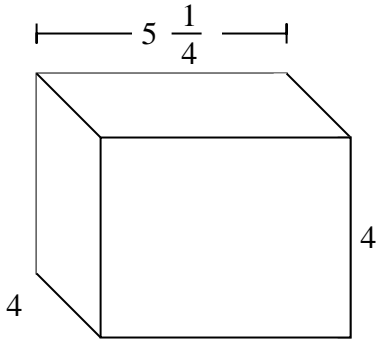


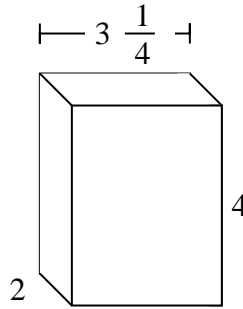


Fill each rectangular prism with cubes to determine the volume. Each prism's unit is measured in cm (not to scale).

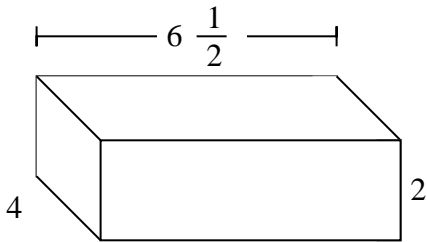
Ex)



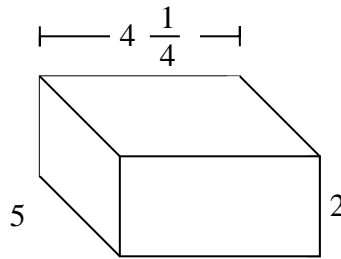
1)

Ex. **84 cm**

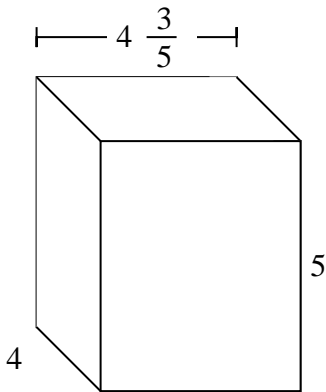
2)



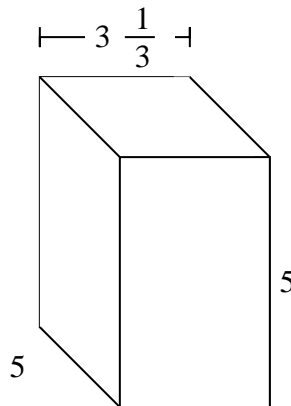
3)



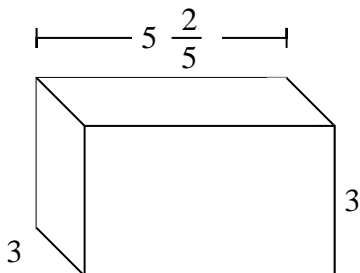
4)



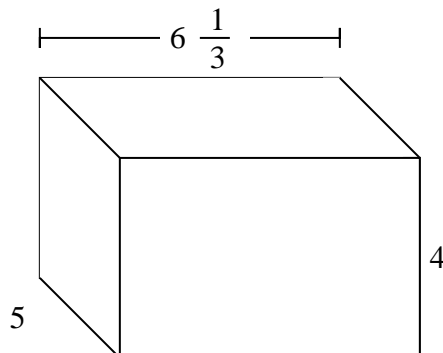
5)



6)



7)

Answers

1. _____

2. _____

3. _____

4. _____

5. _____

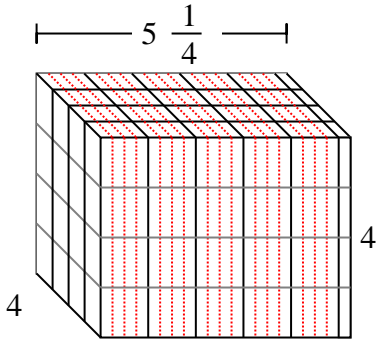
6. _____

7. _____

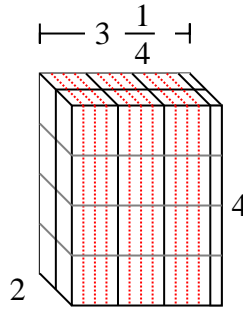


Fill each rectangular prism with cubes to determine the volume. Each prism's unit is measured in cm (not to scale).

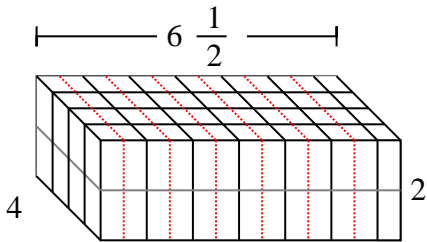
Ex)



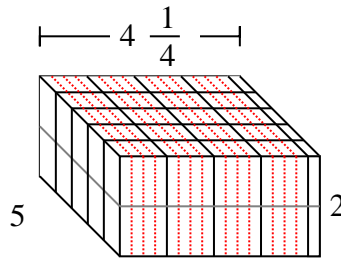
1)

Ex. 84 cm

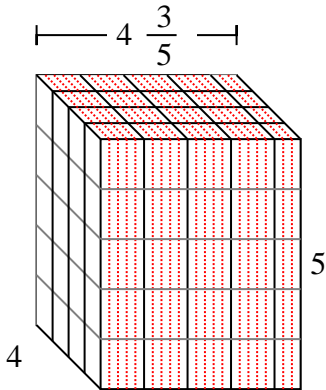
2)



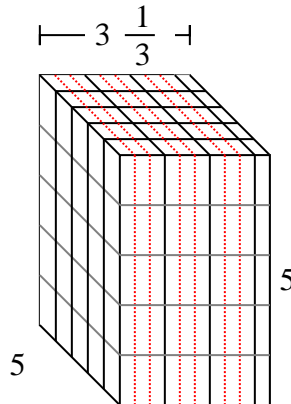
3)

1. 26 cm2. 52 cm3. $42 \frac{2}{4}$ cm4. 92 cm

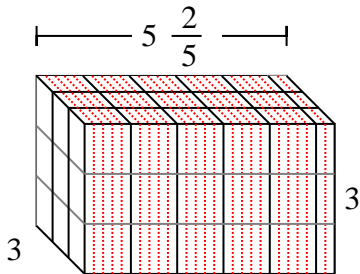
4)



5)

5. $83 \frac{1}{3}$ cm6. $48 \frac{3}{5}$ cm7. $126 \frac{2}{3}$ cm

6)



7)

