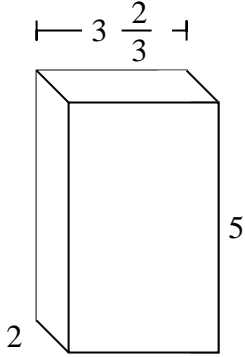


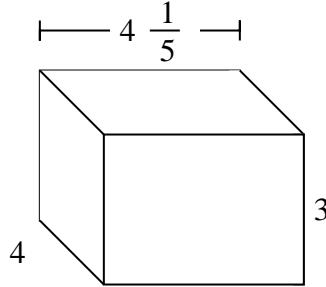


Fill each rectangular prism with cubes to determine the volume. Each prism's unit is measured in cm (not to scale).

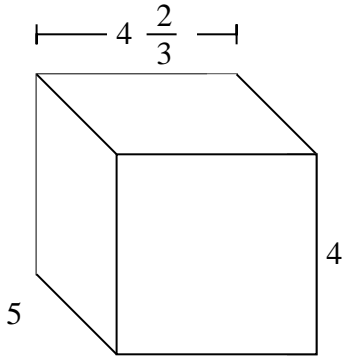
Ex)



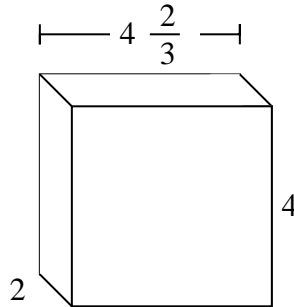
1)



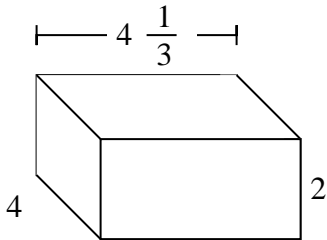
2)



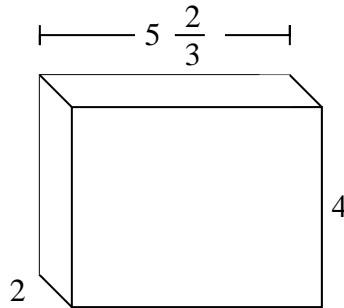
3)



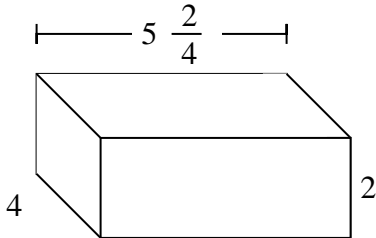
4)



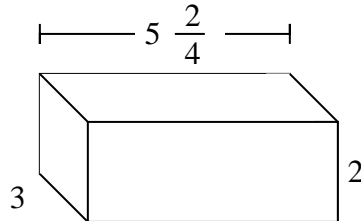
5)



6)



7)

AnswersEx.  $36\frac{2}{3}$  cm

1. \_\_\_\_\_

2. \_\_\_\_\_

3. \_\_\_\_\_

4. \_\_\_\_\_

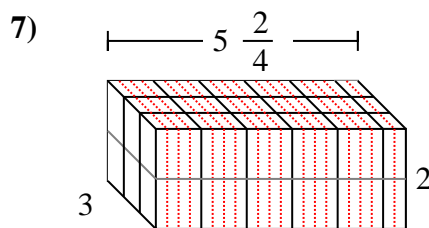
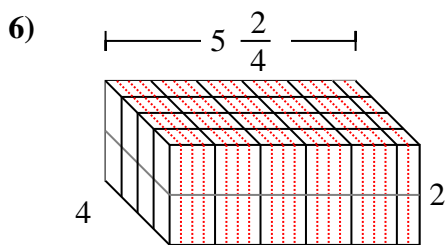
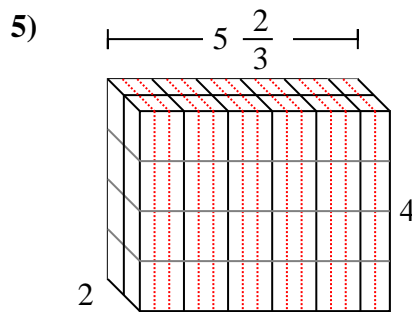
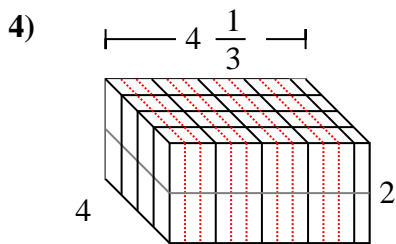
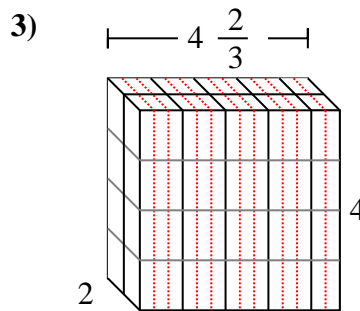
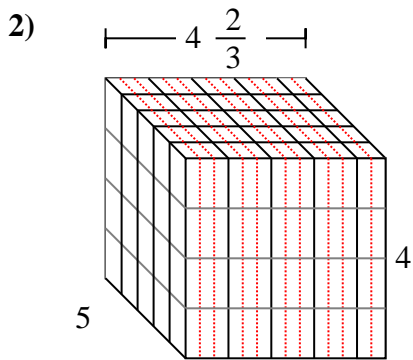
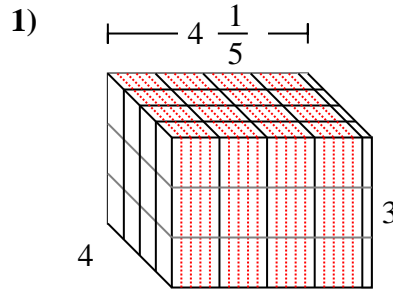
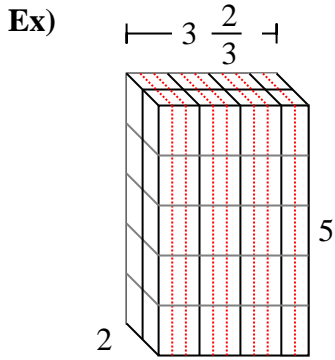
5. \_\_\_\_\_

6. \_\_\_\_\_

7. \_\_\_\_\_



Fill each rectangular prism with cubes to determine the volume. Each prism's unit is measured in cm (not to scale).

Answers

Ex.  $36 \frac{2}{3} \text{ cm}$

1.  $50 \frac{2}{5} \text{ cm}$

2.  $93 \frac{1}{3} \text{ cm}$

3.  $37 \frac{1}{3} \text{ cm}$

4.  $34 \frac{2}{3} \text{ cm}$

5.  $45 \frac{1}{3} \text{ cm}$

6.  $44 \text{ cm}$

7.  $33 \text{ cm}$