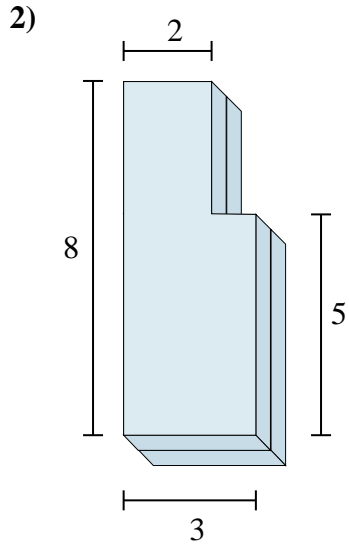
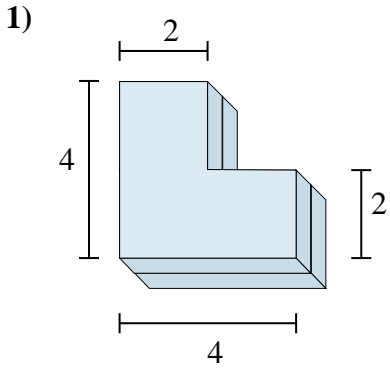




Find the total volume of each figure shown. Measured in cm (not to scale).

Answers



1. \_\_\_\_\_

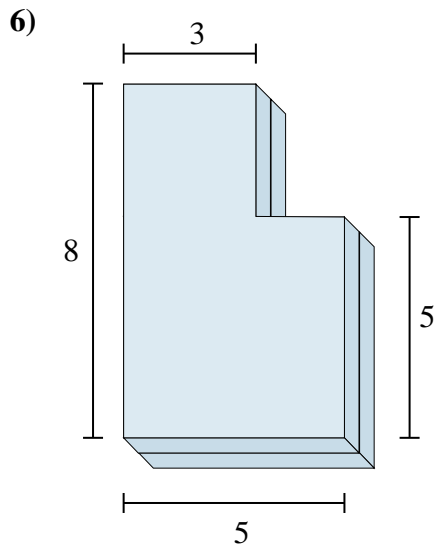
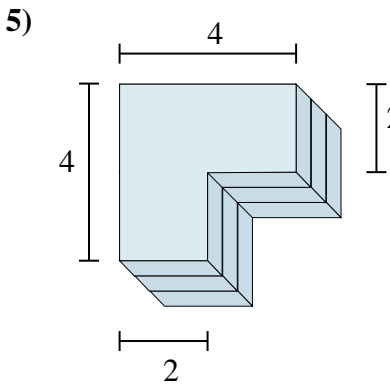
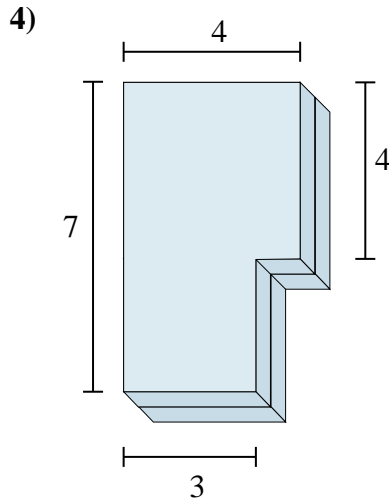
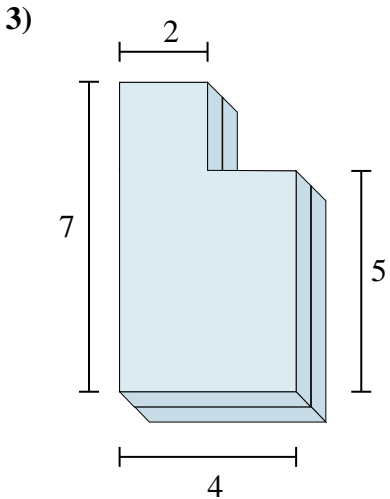
2. \_\_\_\_\_

3. \_\_\_\_\_

4. \_\_\_\_\_

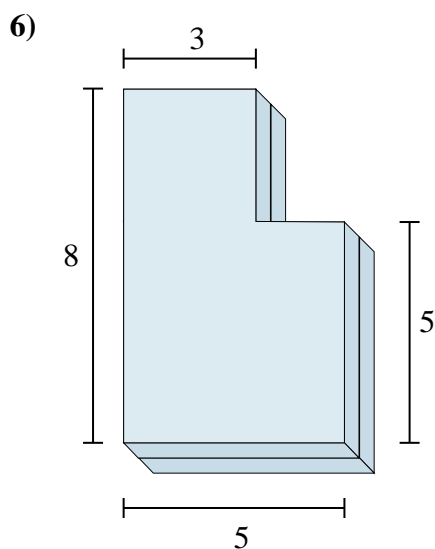
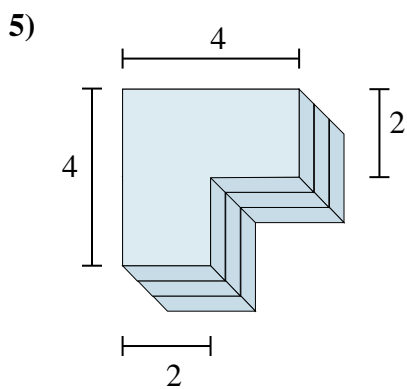
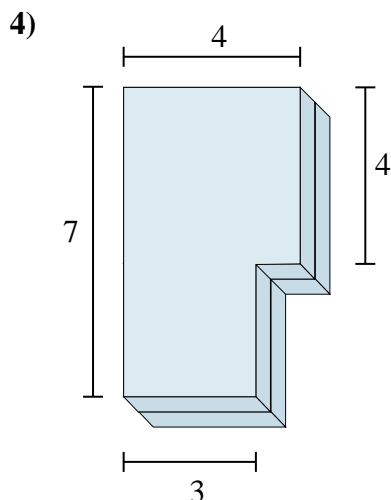
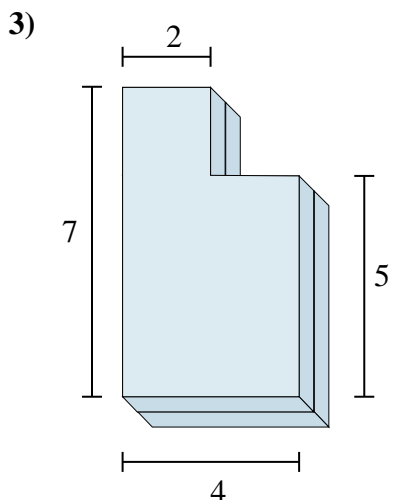
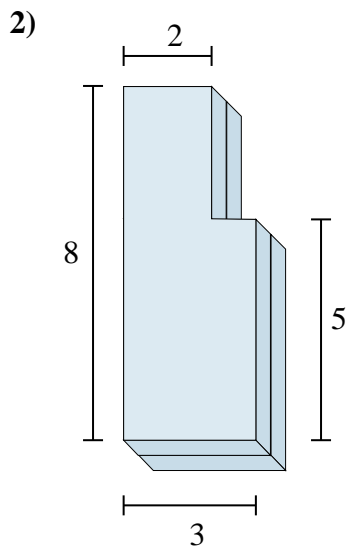
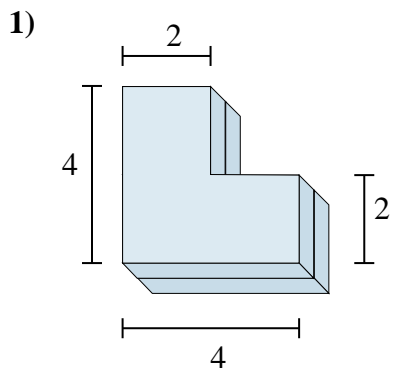
5. \_\_\_\_\_

6. \_\_\_\_\_





Find the total volume of each figure shown. Measured in cm (not to scale).



Answers

1. 24 cm<sup>3</sup>

2. 42 cm<sup>3</sup>

3. 48 cm<sup>3</sup>

4. 50 cm<sup>3</sup>

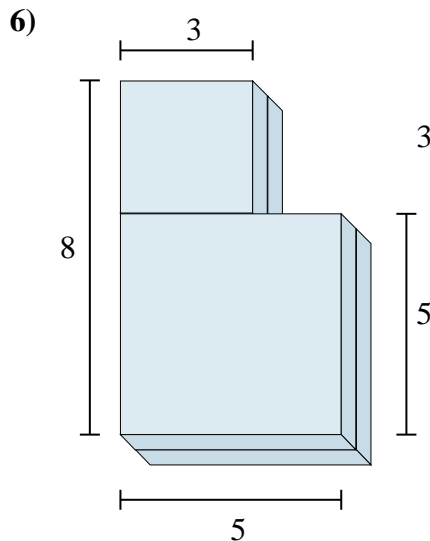
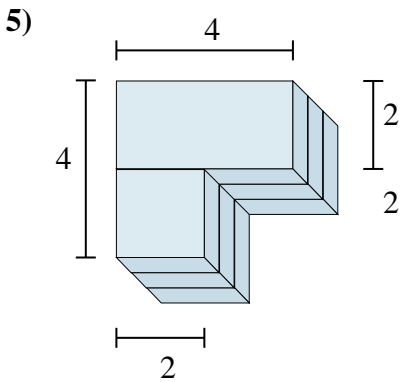
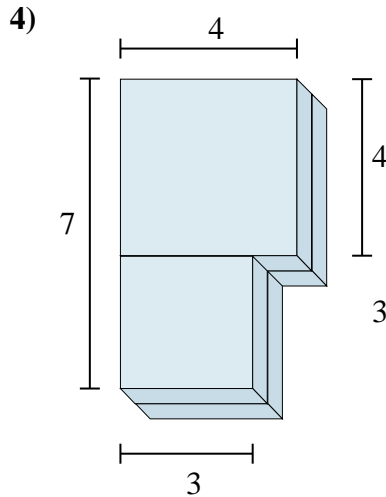
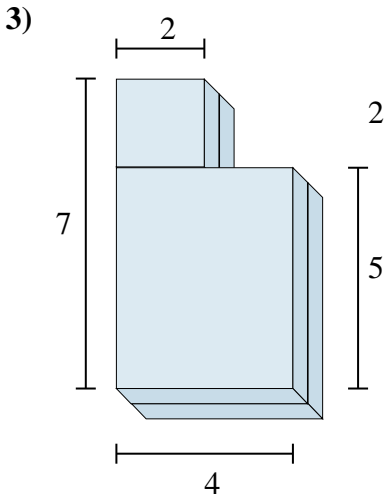
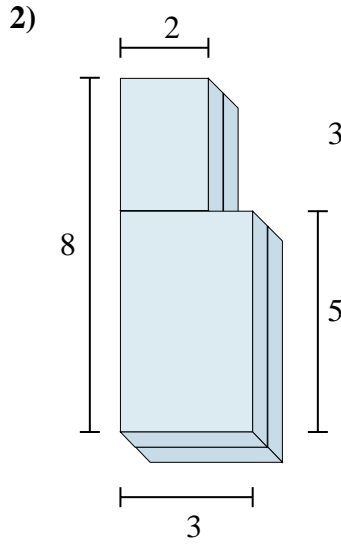
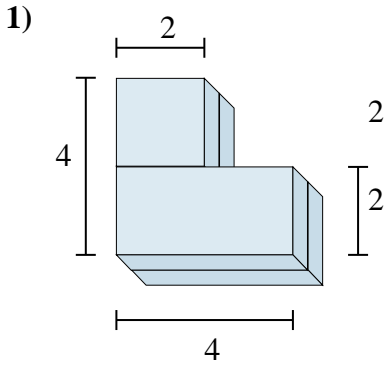
5. 36 cm<sup>3</sup>

6. 68 cm<sup>3</sup>



Find the total volume of each figure shown. Measured in cm (not to scale).

Answers



1. \_\_\_\_\_
2. \_\_\_\_\_
3. \_\_\_\_\_
4. \_\_\_\_\_
5. \_\_\_\_\_
6. \_\_\_\_\_