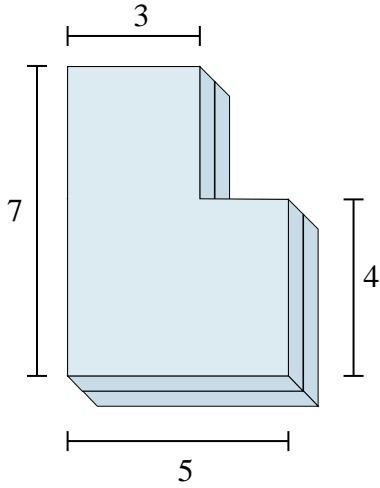




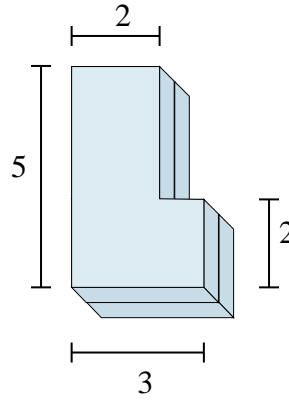
Find the total volume of each figure shown. Measured in cm (not to scale).

Answers

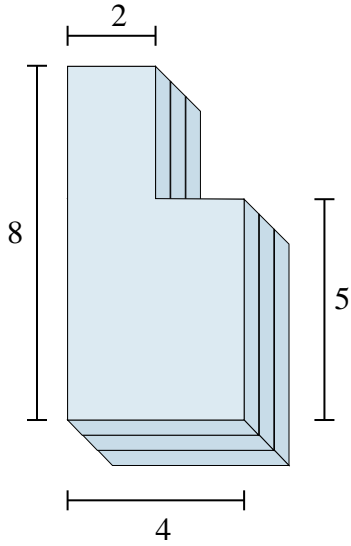
1)



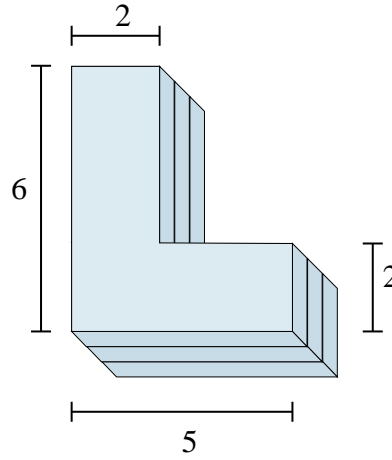
2)



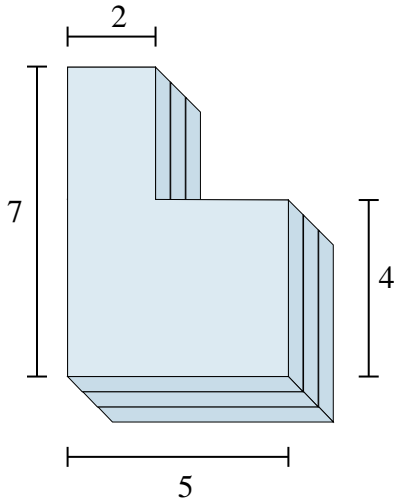
3)



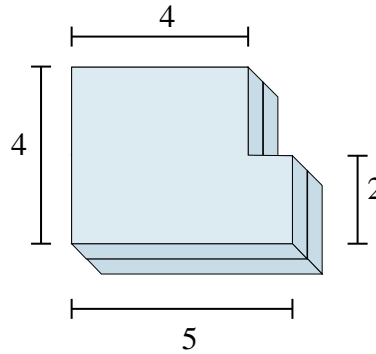
4)



5)



6)

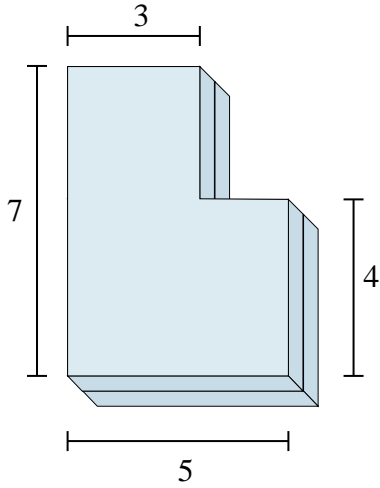


- 1. _____
- 2. _____
- 3. _____
- 4. _____
- 5. _____
- 6. _____

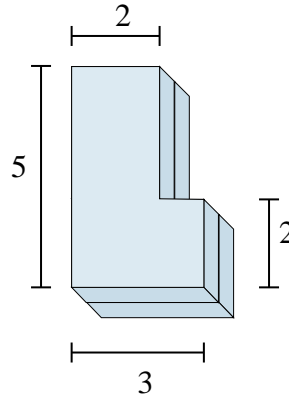


Find the total volume of each figure shown. Measured in cm (not to scale).

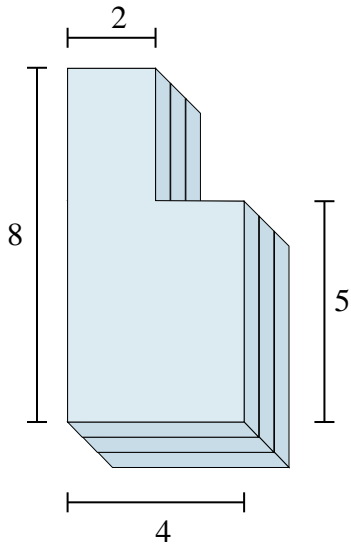
1)



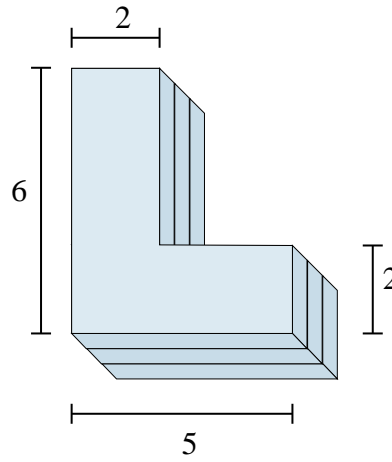
2)



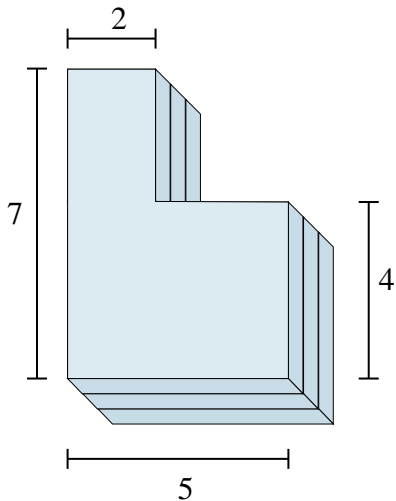
3)



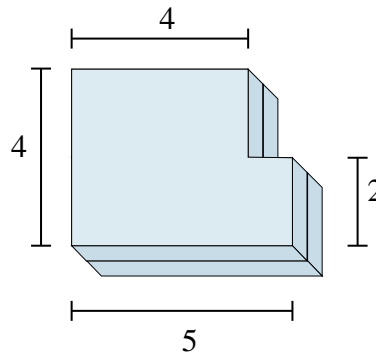
4)



5)



6)



Answers

1. **58 cm³**

2. **24 cm³**

3. **78 cm³**

4. **54 cm³**

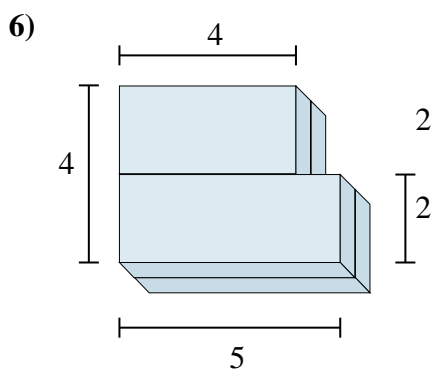
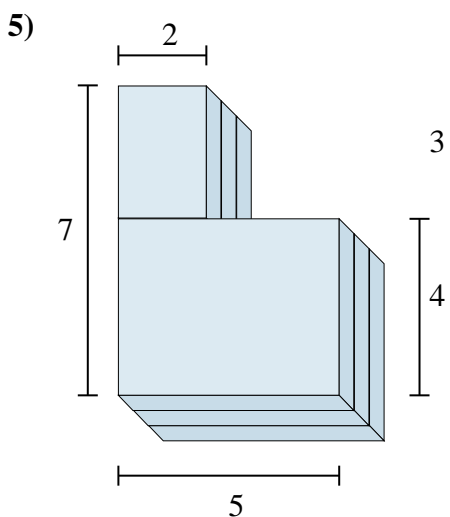
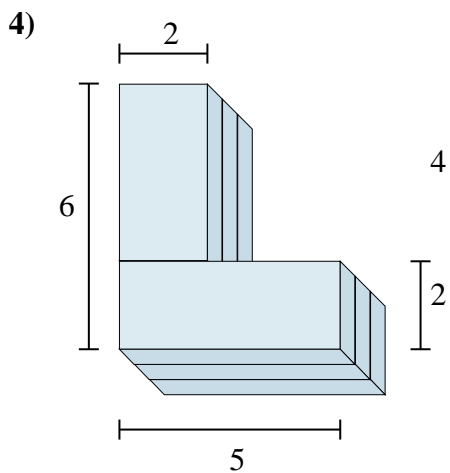
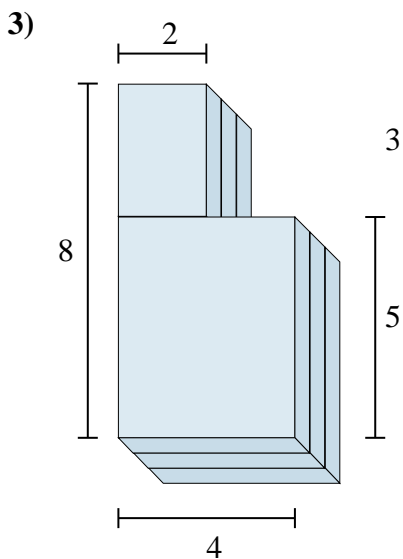
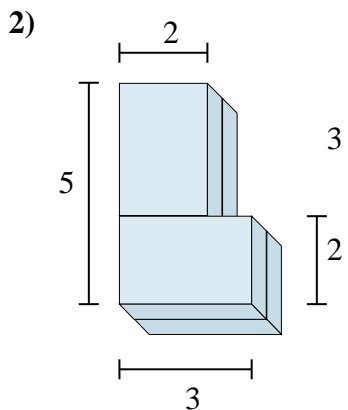
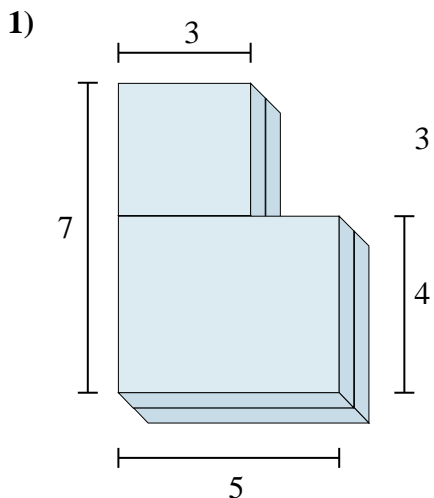
5. **78 cm³**

6. **36 cm³**



Find the total volume of each figure shown. Measured in cm (not to scale).

Answers



1. _____
2. _____
3. _____
4. _____
5. _____
6. _____