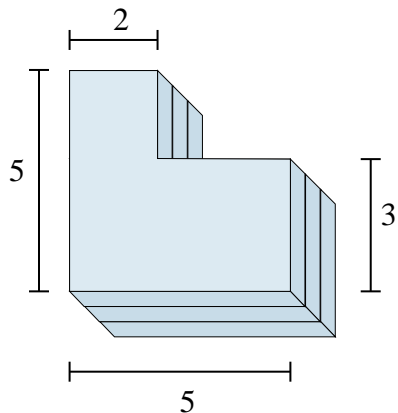




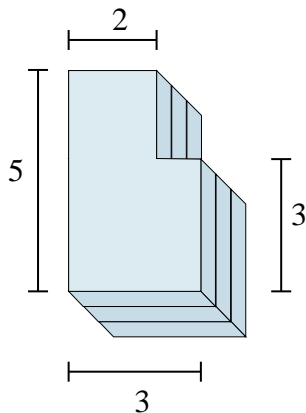
Find the total volume of each figure shown. Measured in cm (not to scale).

Answers

1)



2)



1. \_\_\_\_\_

2. \_\_\_\_\_

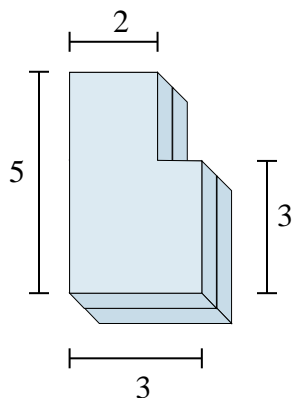
3. \_\_\_\_\_

4. \_\_\_\_\_

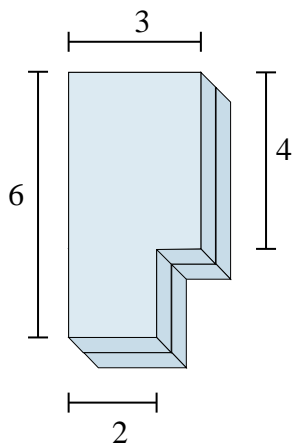
5. \_\_\_\_\_

6. \_\_\_\_\_

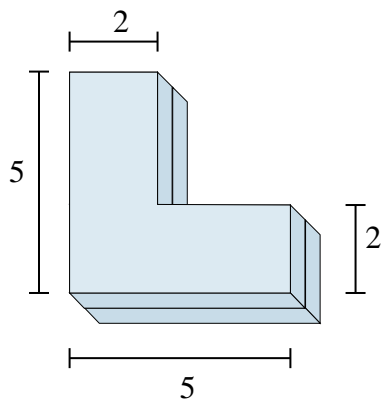
3)



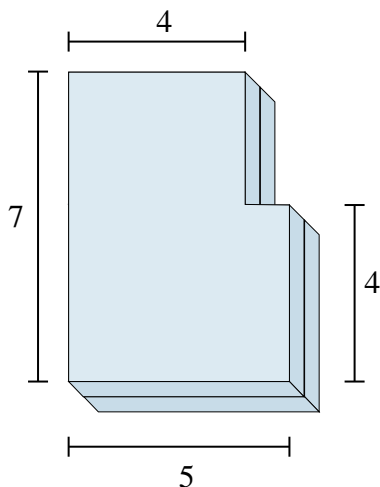
4)



5)

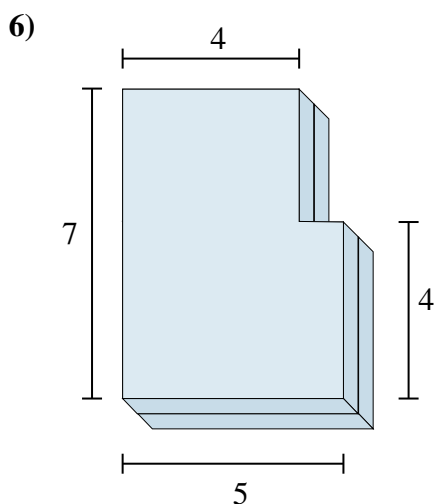
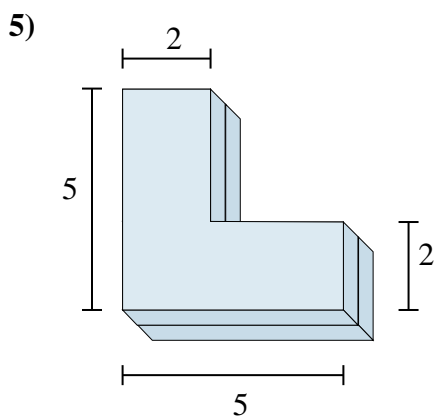
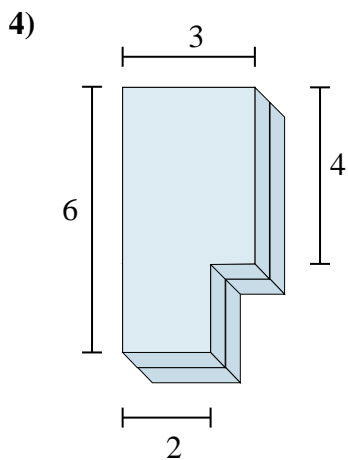
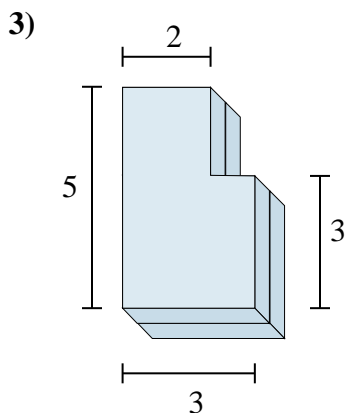
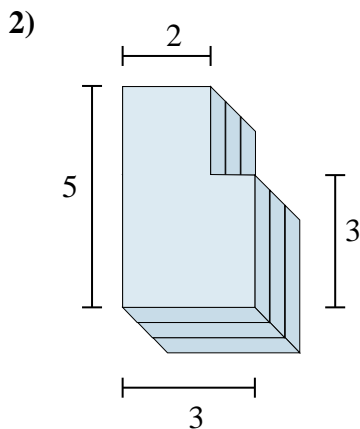
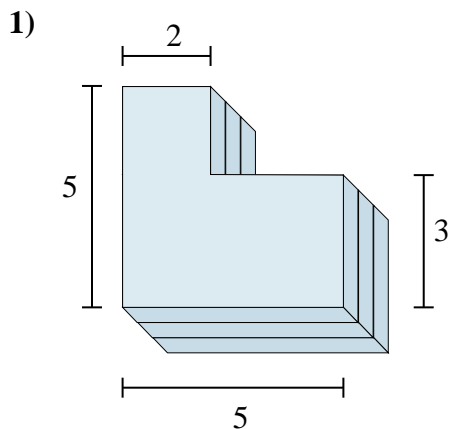


6)





Find the total volume of each figure shown. Measured in cm (not to scale).



Answers

1. 57 cm<sup>3</sup>

2. 39 cm<sup>3</sup>

3. 26 cm<sup>3</sup>

4. 32 cm<sup>3</sup>

5. 32 cm<sup>3</sup>

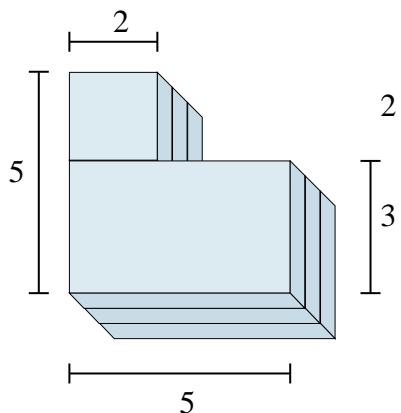
6. 64 cm<sup>3</sup>



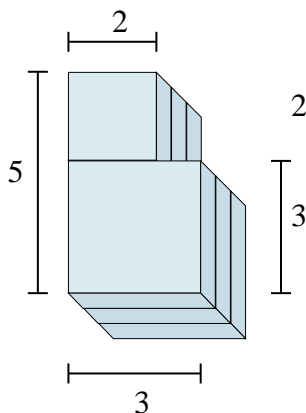
Find the total volume of each figure shown. Measured in cm (not to scale).

Answers

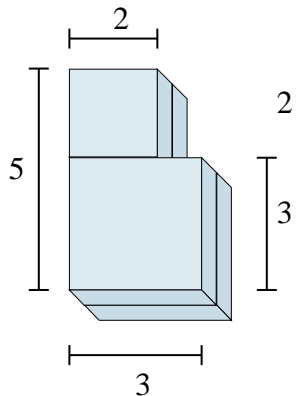
1)



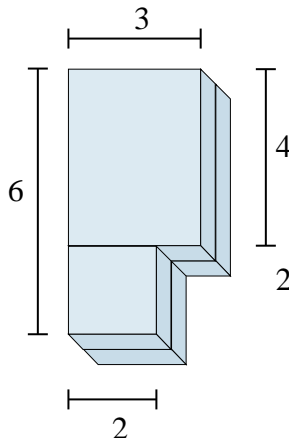
2)



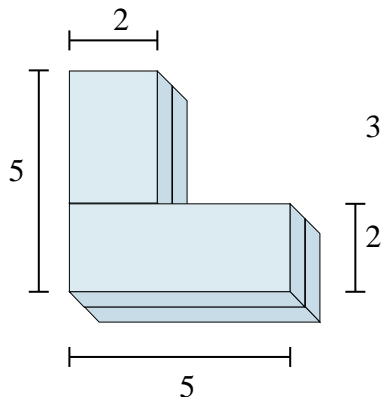
3)



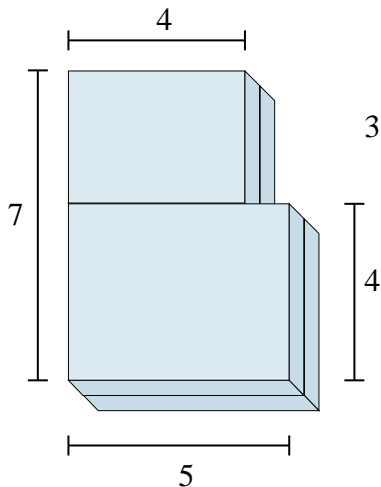
4)



5)



6)



1. \_\_\_\_\_
2. \_\_\_\_\_
3. \_\_\_\_\_
4. \_\_\_\_\_
5. \_\_\_\_\_
6. \_\_\_\_\_